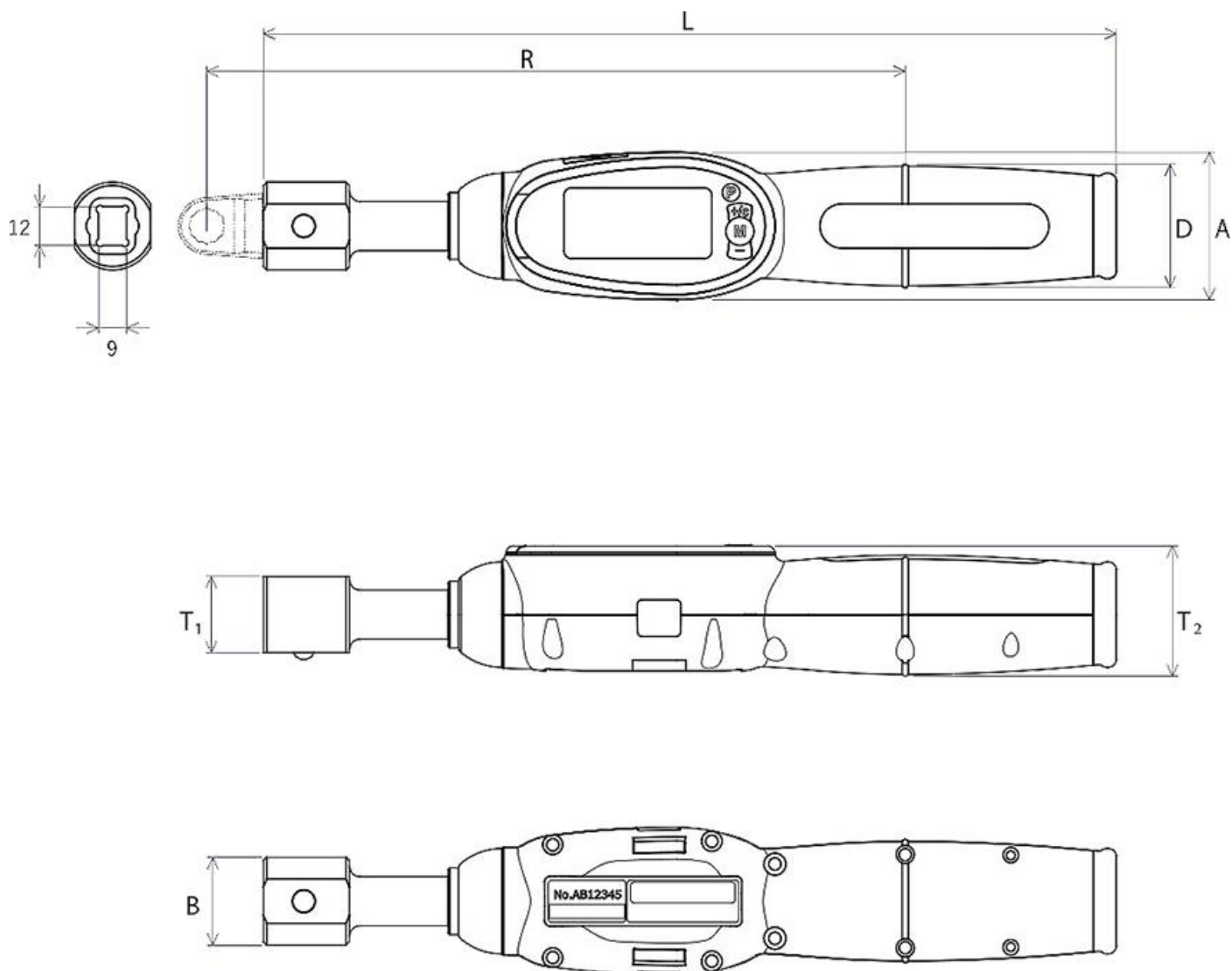


- M653EW010-X0912K ~ M653EW100-X0912K
- M653NW010-X0912K ~ M653NW100-X0912K



■ 寸法

品番	トルク測定範囲 (N・m)	L	A	B	T1	T2	D	R	質量 (g)
M653EW010-X0912K	2~10	192	42	24.9	21.6	37.3	35	-	330
M653EW025-X0912K	5~25	192	42	24.9	21.6	37.3	35	-	340
M653EW050-X0912K	10~50	243	42	24.9	21.6	37.3	35	-	430
M653EW100-X0912K	20~100	292	42	24.9	21.6	37.3	35	-	510
M653NW010-X0912K	2~10	192	42	24.9	21.6	37.3	35	-	330
M653NW025-X0912K	5~25	192	42	24.9	21.6	37.3	35	-	340
M653NW050-X0912K	10~50	243	42	24.9	21.6	37.3	35	-	430
M653NW100-X0912K	20~100	292	42	24.9	21.6	37.3	35	-	510

※単位のない寸法は「mm」